

Propellorized Unit Heaters

Accessories for Propellorized Unit Heaters

Sigma Model : SUH-LFDxx
Model : SUH-LFD
Description : Louvre Fin Diffusers
Applies To :

ASSEMBLY OF LOUVRE FIN DIFFUSERS

- Make sure you have the correct Louvre Fin Kit for your given unit (see chart below)
- Louvres DO NOT need to be removed from unit. Starting with the bottom Horizontal Louvre, lay the Fin Strip on the top of the Horizontal Louvre lining up the back edge of the Fin Strip to the back edge of the Horizontal Louvre. After making sure that the Fin Strip is approx. centered on the given Horizontal Louvre, slide retaining clips onto back of Horizontal Louvre / Fin Strips to hold Fin Strip in place. (Figure 1)
- After installing all the Fin Strips onto the unit, twist each fin vertically as required. There is a small round notch on the Fin Strips that will fit around the main Rib on the Horizontal Louvre. (Figure 2, note only 1 fin strip shown for drawing simplicity).
- If required, the Fins can be bent to the Left or Right for a Horizontal directional airflow.

Figure 1

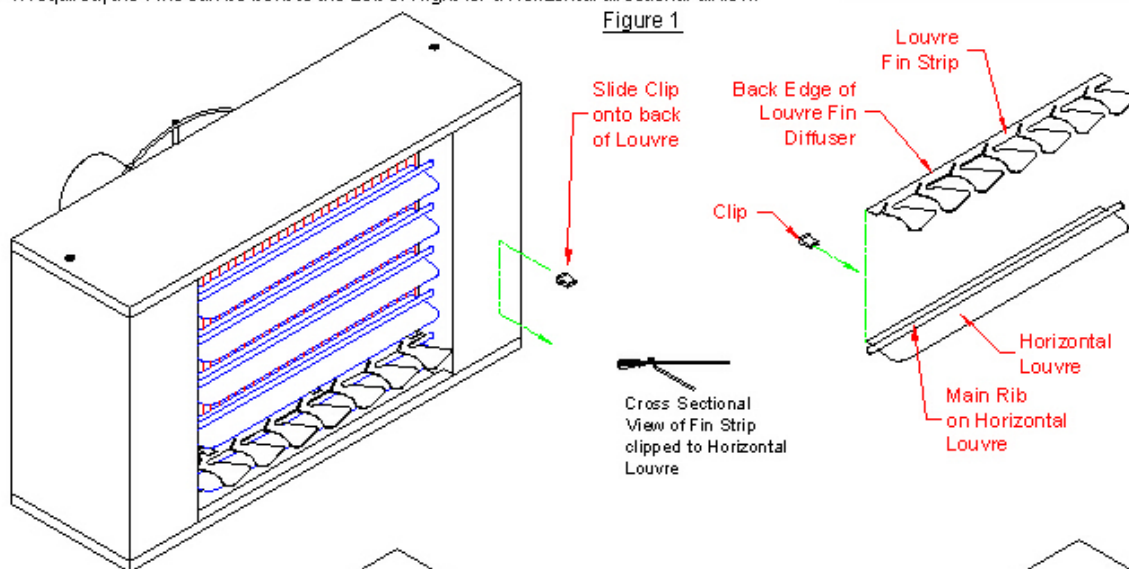


Figure 2

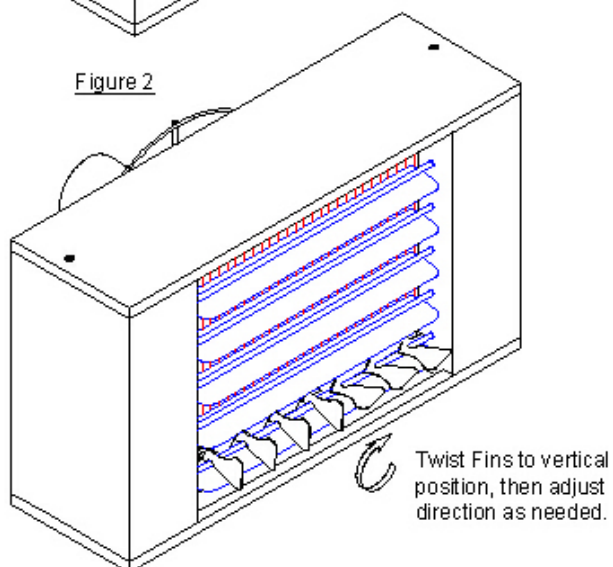
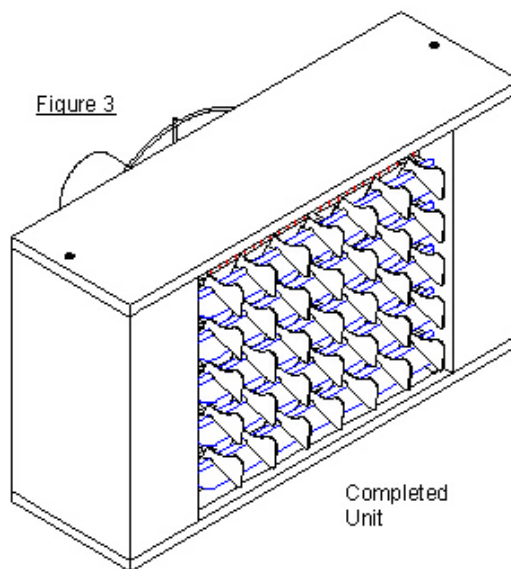


Figure 3



Unit Heater Model	Kit Part #	Items in Kit		Comments
		Clips (qty.)	Fin Strip Length (qty.)	
30H / 30HL & 40H / 40HL	SUH-LFD12	15	14 (5)	3 Clips / Louvre
47H / 47HL & 58H / 58HL	SUH-LFD14	21	16.5 (7)	3 Clips / Louvre
62H / 62HL & 84H / 84HL	SUH-LFD16	24	21 (8)	3 Clips / Louvre
133H / 133HL	SUH-LFD20	30	26.5 (10)	3 Clips / Louvre
200H / 200HL	SUH-LFD24-200H	48	32 (12)	4 Clips / Louvre
245H / 245HL	SUH-LFD24-245H	56	36 (14)	4 Clips / Louvre